


LGMG

T28J-H

TELESCOPIC BOOM LIFT



LGMG has a complete line of engine-driven, high-capacity telescopic boom aerial work platforms, with the maximum working height ranging from 21.8 to 29.8 meters (71' 6" / 97' 9"). With a double capacity design of 450/300kg (992/661lbs), the machine can allow up to 3 people to work at the same time both indoors and outdoors, which greatly improves work efficiency.

LGMG Diesel Telescopic Boom Lift

SPECIFICATIONS

| MODELS | T28J-H (T92J-H) | |
|-------------------------------|-------------------|----------|
| | Metric | Imperial |
| Measurements | | |
| Work Height Max. | 29.8m | 97'9" |
| Platform Height Max. | 27.8m | 91'2" |
| Horizontal Outreach Max. | 21.6m | 70'10" |
| Platform Length | 2.44m | 8' |
| Platform Width | 0.9m | 2'11" |
| A Stowed Length | 13.4m | 44' |
| Length-Transport (jib tucked) | 11.47m | 37'8" |
| B Overall Width | 2.5m | 8'2" |
| C Stowed Height | 2.83m | 9'3" |
| Height-Transport | 3.02m | 9'11" |
| D Wheelbase | 2.85m | 9'4" |
| E Ground Clearance | 0.43m | 1'5" |

| PRODUCTIVITY | | |
|----------------------------------|-----------------------------------|---------|
| Max. Platform Occupants | 2 (unrestricted) / 3 (restricted) | |
| Platform Capacity (unrestricted) | 300kg | 661 lbs |
| Platform Capacity (restricted) | 450kg | 992 lbs |
| Turntable Rotation | 360°Continuous | |
| Drive Speed-Stowed | 4.8km/h | 3mph |
| Drive Speed-Raised | 0.8km/h | 0.5mph |
| Gradeability | 45% | 45% |
| Max. Wind Speed | 12.5m/s | 28mph |
| Turning Radius-Inside | 3.66m | 12' |
| Turning Radius-Outside | 6.55m | 21'6" |
| Max.Slope | 5°/5° | 5°/5° |
| Tire Type | RT Foam-filled | |
| Tire Size | 18-625 | 18-625 |

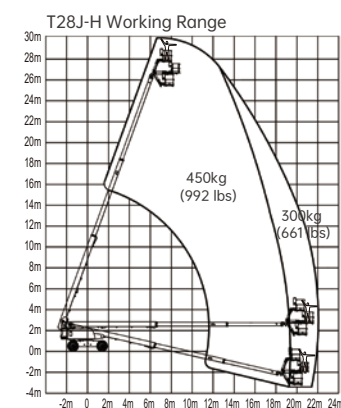
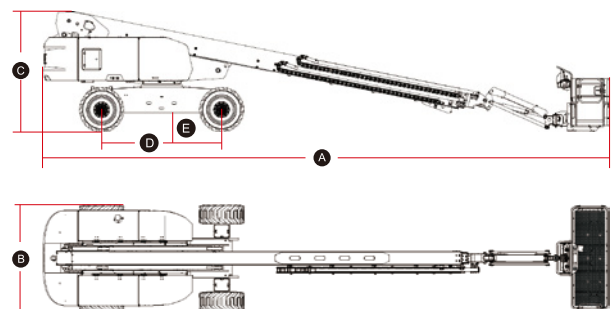
| POWER | | |
|--------------------|------------------------------|---------|
| Power | Deutz TD2.9L4 / Kubota V3307 | |
| Fuel Tank Capacity | 100L | 26.4gal |

| HYDRAULIC SYSTEM | | |
|----------------------|------|---------|
| Hydraulic Oil Volume | 180L | 47.5gal |

| WEIGHT | | |
|--------------------------|---------|-----------|
| Machine Weight (CE/ANSI) | 18800kg | 41447 lbs |

| STANDARD FEATURES | |
|------------------------|------------------------------------|
| Proportional control | Emergency stop button |
| Horn/Hour meter | Auto-leveling platform |
| Platform control cover | Anti-collision protection |
| Flashing beacons | Over-tilt protection system |
| Cylinder bellows | Overload sensing system |
| Platform tool box | Intelligent diagnostic system |
| Oscillating axle | Descent alarm with flashing beacon |
| Telematics connector | RT Foam-filled tires |

| OPTIONAL | |
|-------------------------|-------------------------------|
| Telematics | Foam-filled non-marking tires |
| Glazier kit | Half-height mesh platform |
| Auxiliary rail | AC power to platform |
| Hydraulic generator kit | 3.5kw Hydraulic generator |
| Hydraulic oil radiator | Biodegradable hydraulic oil |
| Cold weather package | |



Please contact LGMG or a local dealer for more details.
LGMG reserves the right to change technical data without prior notice. All photos and pictures in this brochure are for promotional purposes only.
This brochure comes into effect in May, 2023.

LINGONG HEAVY MACHINERY CO., LTD.

Address: No. 2676, Kejia Road, Jinan, Shandong, China
Email: sales@lmgm.com.cn Tel: +86 531 6787 9283

LGMG Europe B.V.

Address: Donker Duyvisweg 301, 3316 BL Dordrecht, The Netherlands
Email: sales@lmgmeurope.com Tel: +31 850 642 777

LGMG North America Inc.

Address: 4105 Live Oak Drive, Suite 100, The Colony, Texas 75056 United States
Email: sales@lmgmna.com Tel: +1 833 288 5464

www.lmgmlifts.com



LGMG
RELIABILITY IN ACTION